

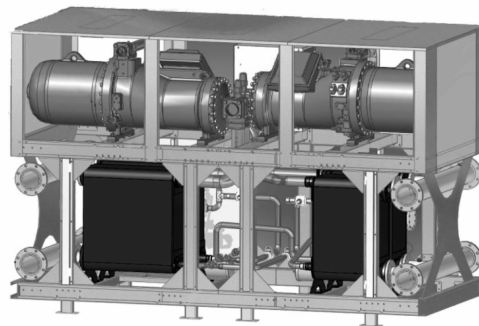


## State Of The Art Modular Chillers Provide Premium Efficiency

Compatible with new or retrofit installations, WaterFurnace Chillers are built to fit through a doorway and simultaneously supply high efficient heating and cooling.

### Benefits of WaterFurnace Modular Chillers:

- Water Cooled or Geothermal Chillers with capacities up to 300 tons per module
- Modular 4 or 6-pipe manifold assembly for *simultaneous* hot and chilled water
- Electronic Expansion Valves
- Scroll or Screw Compressors
- Oversized brazed plate heat exchangers offer high efficiency with industry low waterside pressure drop
- Wide array of standard factory installed options
- Complete flexibility for custom options
- BACnet or LON communicating
- Dual setpoint control with single module
- Built in N+1



**WC Screw Chiller**

- **Formerly Chillit**
- Fits in an Elevator
- Saves Space
- Super-Efficient
- Super Quiet



**WC Scroll Chiller**

To read more on the benefits provided by WaterFurnace, [click here](#).

For more information on how WaterFurnace Modular Chillars could be the right solution for you, please contact [Jerry Cohen](#), or visit our [website](#).

### What We're Saying

[Click here](#) to learn the latest news in the HVAC industry.

### Seminars

Jacco will be hosting a series of Seminars throughout 2017!

**Don't Miss Our First On:  
February 14th & 21st: Young  
Engineers & Contractors Training  
HVAC Basics**

### 30mins Pledge



Copyright © 2014 All Rights Reserved.

Jacco & Associates, 61 Milford DR, Hudson, OH 44236

[SafeUnsubscribe™ {recipient's email}](#)

[Forward this email](#) | [Update Profile](#) | [About our service provider](#)

Sent by [jerryc@jacco.com](mailto:jerryc@jacco.com) in collaboration with

**Constant Contact** 

[Try it free today](#)