

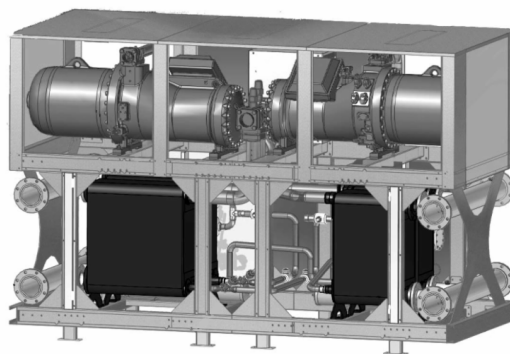


State Of The Art Modular Chillers Provide Premium Efficiency

Compatible with new or retrofit installations, WaterFurnace Chillers are built to fit through a doorway and simultaneously supply high efficient heating and cooling.

Benefits of WaterFurnace Modular Chillers:

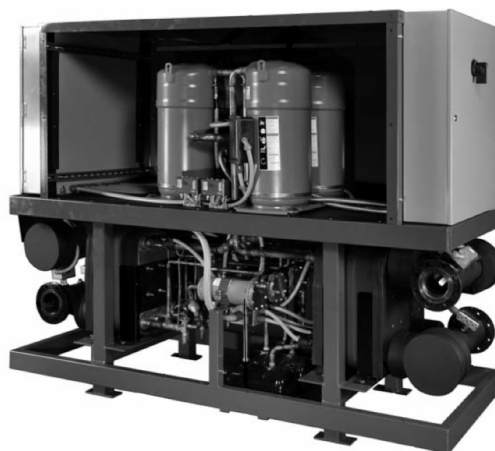
- Water Cooled or Geothermal Chillers with capacities ranging from 30-340 tons per module
- Modular 4 or 6-pipe manifold assembly for simultaneous hot and chilled water
- Electronic Expansion Valves
- Scroll or Screw Compressors
- Oversized brazed plate heat exchangers offer high efficiency with industry low waterside pressure drop
- Wide array of standard factory installed



WC Screw Chiller

options

- Complete flexibility for custom options
- BACnet or LON communicating
- To read more on the benefits provided by WaterFurnace, [click here.](#)



WC Scroll Chiller

For more information on how WaterFurnace Modular Chillars could be the right solution for you, please contact Jerry Cohen at jerryc@jacco.com, or visit our website at www.jacco.com.

What We're Saying

Samsung's Vapor Injection System [Click Here](#)

Aeon H3 & SB with Heat Recovery [Click Here](#)

Ebtron's Cost Saving Benefits [Click Here](#)

Trox Chilled Beam Displacement Systems [Click Here](#)

Seminars

Jacco will be hosting a series of Seminars!

February 11 Seminar:
The Refrigeration Cycle

Cleveland: 7 a.m. - 9 a.m.
Akron: 11 a.m. - 1 p.m.
Youngstown: 4 p.m. - 6 p.m.

[Click Here For More Information](#)

30min Design



Copyright © 2014 All Rights Reserved.

[Forward this email](#)



This email was sent to jerryc@jacco.com by jerryc@jacco.com | [Update Profile/Email Address](#) | Rapid removal with [SafeUnsubscribe™](#) | [About our service provider.](#)



Try it FREE today.

Jacco & Associates | 61 Milford DR | Hudson | OH | 44236